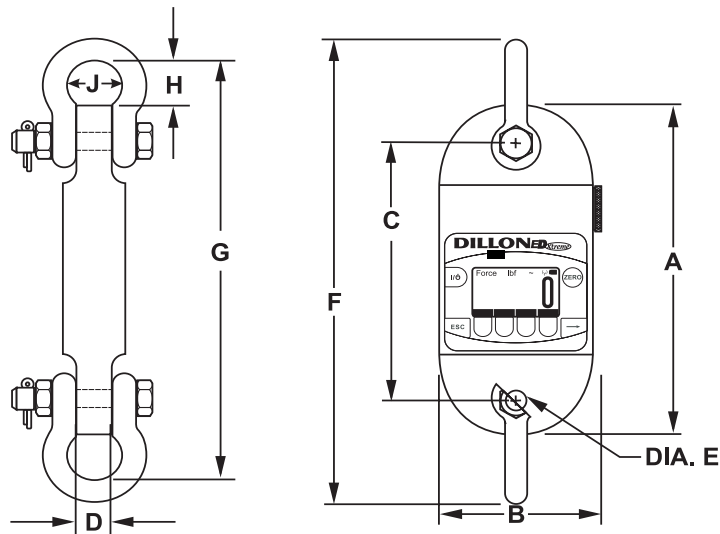




# EDxtreme Dynamometer Specifications

Model	Capacity x Resolution (normal/enhanced)			Body Construction and Safety Factor
EDx-2.5K	2500 lbf x 2/0.5	1000 kgf x 1/0.2	10000 N x 10/2	Aircraft quality 2024 Aluminum 7:1 USF
EDx-5K	5000 lbf x 5/1	2000 kgf x 2/0.5	20000 N x 20/5	
EDx-10K	10000 lbf x 10/2	5000 kgf x 5/1	50000 N x 50/10	
EDx-25K	25000 lbf x 20/5	10000 kgf x 10/2	100000 N x 100/20	Aircraft quality E4340 Alloy Steel 5:1 USF
EDx-50K	50000 lbf x 50/10	20000 kgf x 20/5	200000 N x 200/50	
EDx-100K	100000 lbf x 100/20	50000 kgf x 50/10	500000 N x 500/100	

Model		Dimensions									
		Dimensions shown are nominal and subject to tolerances.									
Model		A	B	C	D	E	F	G	H	I	J
EDx-2.5K	inch	10.6	5.0	7.8	1.06	0.75	15.3	13.4	1.36	3.19	1.69
	mm	269	127	198	26	19	389	340	34	81	43
EDx-5K	inch	10.6	5.0	7.8	1.06	0.75	15.3	13.4	1.36	3.19	1.69
	mm	269	127	198	26	19	389	340	34	81	43
EDx-10K	inch	11.4	5.3	8.1	1.38	1.00	17.8	15.8	2.17	4.03	2.28
	mm	289	135	206	35	25	451	402	56	102	58
EDx-25K	inch	11.5	5.3	7.9	1.97	1.38	21.6	18.8	3.67	4.53	3.25
	mm	291	133	201	50	35	548	478	93	115	83
EDx-50K	inch	13.7	6.0	9.0	2.75	2.00	29.7	25.2	5.7	6.9	5.0
	mm	348	152	229	70	51	754	640	146	175	127
EDx-100K	inch	15.8	6.8	10.3	3.88	2.75	40.5	34.3	9.3	12.9	7.3
	mm	400	172	262	99	70	1029	870	235	327	184



# EDxtreme Electronic Dynamometer Specifications

## Dynamometer Specifications

**Enclosure:** Designed to NEMA4X/IP55.

Suitable for continuous outdoor use.

**Accuracy:** 0.1% of capacity.\*

**Repeatability:** 0.1% of capacity.\*

\*1 part in 1000 display mode with Dillon provided shackles.

**Factor of safety:** See table on reverse.

**Body Protection:** Aluminum capacities are anodized. Alloy steel capacities are electroless-nickel plated.

**Bearings:** Unmatched repeatability attained by needle bearings in shackle pin holes up to EDx-10K. Shackle pin acts as inner race.

**Shackles:** Forged industry standard anchor shackles. Models up to EDx-10K use precision machined shackle pin. Higher capacities use forged pin.

**Display:** 128 x 64 dot-graphic LCD display shows up to 6 digits 1.0" (26 mm) high plus annunciators and softkeys. Digits are .11 inches (7mm) thick for unmatched readability.

**Display update rate:** 2 times per second.

**Connector:** Recessed sealed connector may be used for serial communications or connection to a Communicator remote.

**RS-232 / RS-485 communication:** Print or extract data easily. Continuous output can drive a scoreboard. Configurable poll character.

**Calibration:** Traceable to the National Institute of Standards and Technology. Certificate included with curve of readings. Passes only with three consecutive confirming runs, with all points in specification.

**Battery life:** 200 hours typical use with two C-cell alkaline batteries. 20 hours typical with Radio Link system.

**Operating temperature:** -4° F to 140° F (-20° to 60° C)

**Included with instrument:** Carry case, batteries, manual and certificate of calibration. EDx-50K and EDx-100K with shackles include shackle crate and spacers.

**Options:** Shackles. 2.4 GHz radio board. Display backlight.

## Communicator Specifications

**Enclosure:** Designed to NEMA 3 / IP44 with optional sleeve. Suitable for protected outdoor use.

**Instrument size:** 9.0 x 4.6 x 1.8 inch (228 x 117 x 45mm).

**Accuracy:** Not applicable. Only sends and receives digital information.

**Display:** 128 x 64 dot-graphic LCD display can show full readings up to 5 instruments.

**Battery life:** 60 hours wireline, 20 hours radio using four AA alkaline batteries under typical use.

**Operating temperature:** -4° F to 140° F (-20° to 60° C)

**Connectors:** Sealed connectors may be used for serial communications and wired connection to an EDxtreme dynamometer.

**RS-232 communication:** Print or extract data easily. Continuous output can drive a scoreboard. Configurable poll character.

**Included with remote:** Carry case and batteries.

**Accessories:** Rubberized case protector sleeve. Remote wall mount bracket. Serial and remote cable assemblies.

## Radio Specifications

**FCC Certified:** For unlicensed low power devices. No radio licensing or permits required for normal operation.\* (In the US and Canada. Check local ordinances in other countries.)

**Frequency:** 2.4 GHz spread-spectrum operates between 2.402 – 2.478 GHz. Continuously and automatically changes frequencies many times per second for consistent, reliable communications.

**Output Level:** 10 mW (20 dBm)

**Display Update Rate:** 2 times per second with single dynamometer. Multi-instrument networks result in reduced updates.

**Number of networks:** 63 remotes can operate independently in the same airspace with unique channels.

**Number of links remote can control:** Up to 15 addresses are available per network channel.

**Configuration:** Address and Network channels are front-panel configurable.

**Antenna:** Integral antenna.

**Range:** Open-air – Up to 300 feet, line-of-sight. Indoors – Dependent upon installation site with 150 feet common.

**Approval:** FCC ID: KQL-PKLR2400  
CAN ID: CAN2268391158A

## Weights

Model		Unit Weight	Weight with Shackles	Approx. Shipping Weight
EDx-2.5K	lb	4.3	8.6	13
	kg	2.0	3.9	6
EDx-5K	lb	4.4	8.7	13
	kg	2.0	3.9	6
EDx-10K	lb	5.6	14	22
	kg	2.5	6.1	10
EDx-25K	lb	16	40	46
	kg	7.3	18	21
EDx-50K	lb	25	96	125
	kg	11	43	56
EDx-100K	lb	38	238	296
	kg	17	108	134
Communicator	lb	1.0	n/a	10
	kg	0.5		5

## AUTHORIZED DISTRIBUTORS

**Ask the experts.** Dillon distributors offer complete service capabilities from application assistance to sales and product support. Their experienced representatives are the most knowledgeable experts that you will find in the force measurement industry. We recommend that you consult these capable specialists for all of your measuring needs.

Please call us or visit  
[www.dillon-force.com](http://www.dillon-force.com)  
for your nearest  
Dillon distributor.

## DILLON

**Overload Protection and  
Overhead Weighing Equipment**

a division of Avery Weigh-Tronix Inc.  
Fairmont, MN U.S.A.

Toll-Free: 800-368-2031  
Phone: 507-238-8796  
Fax: 507-238-8258

[www.dillon-force.com](http://www.dillon-force.com)

